



APPLIQUES SALLE DE BAIN BATHROOM WALL LIGHTS

Élégance des formes, aux accents minimalistes et aux finitions soignées. Retrouvez l'esprit CVL dans une collection d'appliques esthétiques et fonctionnelles, spécifiquement conçues pour la salle de bain.



Elegant shapes, minimalist accents and immaculate finishes. Find the CVL spirit in a collection of aesthetic and functional wall lights, specifically designed for bathrooms.



IP BACKSTAGE



Finitions Finishes

Détails page 239

| | | | |
|---|--|--|--|
| ● Laiton satiné SB Satin brass | ● Graphite satiné SG Satin graphite | ● Nickel satiné SN Satin nickel | ● Cuivre satiné SC Satin copper |
| ● Laiton poli PB Polished brass | ● Graphite poli PG Polished graphite | ● Nickel poli PN Polished nickel | ● Cuivre poli PC Polished copper |

Matériaux Material

| | |
|------------------------------|--|
| Laiton massif Solid Brass | Verre triplex opale soufflé bouche Opal triplex mouth-blown glass |
|------------------------------|--|

Source Lamping

| | | | | | |
|------------------------------|---------|---------|----|-----------------------------|---------------------------|
| IP Backstage 4 | | | | | |
| LED intégrée | 520 lm | 3 000°K | 5W | Alimentation 24V intégrée | Non variable en standard |
| Integrated LED | 520 lm | 3 000°K | 5W | Int. power supply 24V incl. | Standard version not dim. |
| IP Backstage 6 | | | | | |
| LED intégrée | 780 lm | 3 000°K | 7W | Alimentation 24V intégrée | Non variable en standard |
| Integrated LED | 780 lm | 3 000°K | 7W | Int. power supply 24V incl. | Standard version not dim. |
| IP Backstage 8 | | | | | |
| LED intégrée | 1040 lm | 3 000°K | 9W | Alimentation 24V intégrée | Non variable en standard |
| Integrated LED | 1040 lm | 3 000°K | 9W | Int. power supply 24V incl. | Standard version not dim. |
| IP Backstage Corner 4 | | | | | |
| LED intégrée | 520 lm | 3 000°K | 5W | Alimentation 24V intégrée | Non variable en standard |
| Integrated LED | 520 lm | 3 000°K | 5W | Int. power supply 24V incl. | Standard version not dim. |
| IP Backstage Corner 6 | | | | | |
| LED intégrée | 780 lm | 3 000°K | 7W | Alimentation 24V intégrée | Non variable en standard |
| Integrated LED | 780 lm | 3 000°K | 7W | Int. power supply 24V incl. | Standard version not dim. |
| IP Backstage Corner 8 | | | | | |
| LED intégrée | 1040 lm | 3 000°K | 9W | Alimentation 24V intégrée | Non variable en standard |
| Integrated LED | 1040 lm | 3 000°K | 9W | Int. power supply 24V incl. | Standard version not dim. |

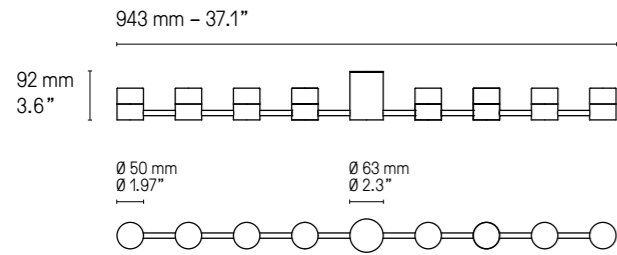
Norme Standard

| | |
|------|-----------|
| IP44 | Classe II |
| IP44 | Class II |

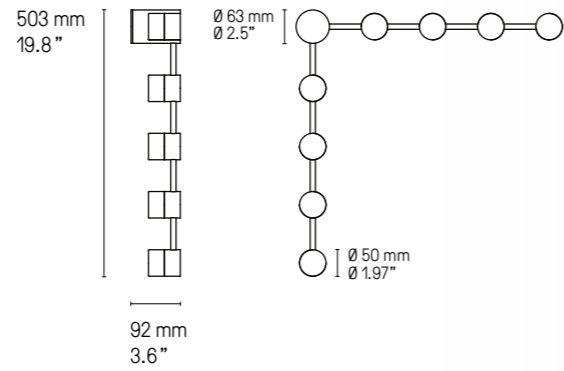
Designer

Émilie Cathelineau

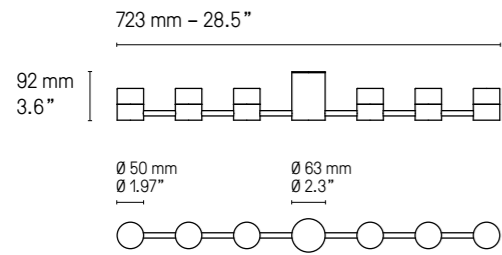
IP Backstage Linear L8



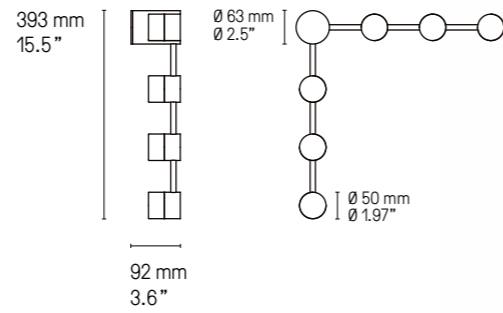
IP Backstage Corner C8



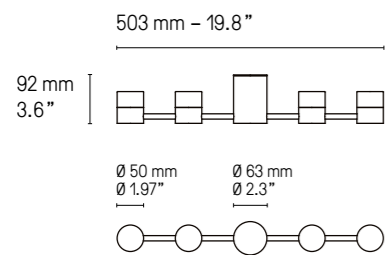
IP Backstage Linear L6



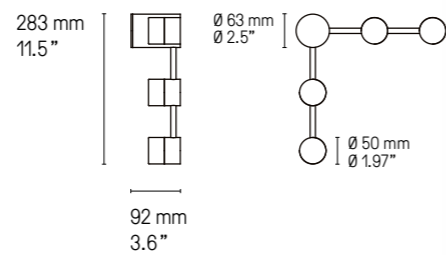
IP Backstage Corner C6



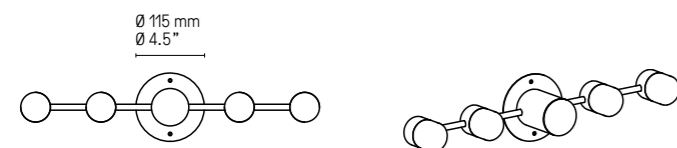
IP Backstage Linear L4



IP Backstage Corner C4



**US Version
fitted plate to cover outlet power box**





IP Backstage Corner C8 SG



IP Backstage Linear L6 PN



IP Backstage Linear L4 SB



IP Backstage Linear L6 SG



IP Backstage Corner C8 PB



IP CALÉ(E)



Finitions Finishes ① + ②

Détails page 239

| | | | |
|---|--|--|--|
| ● Laiton satiné SB Satin brass | ● Graphite satiné SG Satin graphite | ● Nickel satiné SN Satin nickel | ● Cuivre satiné SC Satin copper |
| ● Laiton poli PB Polished brass | ● Graphite poli PG Polished graphite | ● Nickel poli PN Polished nickel | ● Cuivre poli PC Polished copper |

Matériaux Material

| | |
|------------------------------|---|
| Laiton massif Solid Brass | Diffuseur polycarbonate satiné Satin Polycarbonate diff user |
|------------------------------|---|

Source Lamping

| | | | | | |
|--------------------------------|--------|---------|-----|--|--|
| LED intégrée Integrated LED | 880 lm | 3 000°K | 10W | Alimentation 24V intégrée Int. power supply 24V incl. | Variable (phase cut) Dimmable (phase cut) |
|--------------------------------|--------|---------|-----|--|--|

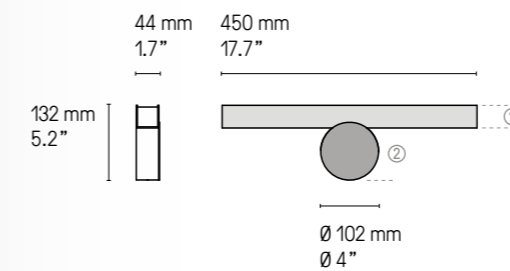
Norme Standard

| | |
|------|-----------|
| IP44 | Classe II |
| IP44 | Class II |

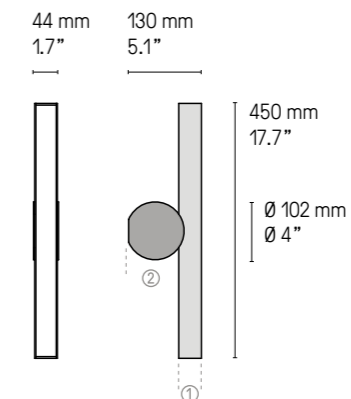
Designer

POOL

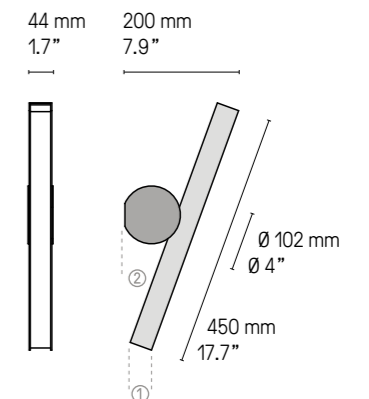
VH



VV



VF



Les appliques Calé(e)s ne sont pas réglables. Ce sont 3 modèles différents.
Calé(e) wall lights are not mobile. These are 3 different fixed models.



IP CORNET



Finitions Finishes

Détails page 239

| | | | |
|---|--|--|--|
| ● Laiton satiné SB Satin brass | ● Graphite satiné SG Satin graphite | ● Nickel satiné SN Satin nickel | ● Cuivre satiné SC Satin copper |
| ● Laiton poli PB Polished brass | ● Graphite poli PG Polished graphite | ● Nickel poli PN Polished nickel | ● Cuivre poli PC Polished copper |

Matériaux Material

| | |
|------------------------------|--|
| Laiton massif Solid Brass | Verre triplex opale soufflé bouche Opal triplex mouth-blown glass |
|------------------------------|--|

Source Lamping

| | |
|---|------------------------|
| G9 LED 5W max. non fournie G9 LED 5W max. not included | Variable* Dimmable* |
|---|------------------------|

Norme Standard

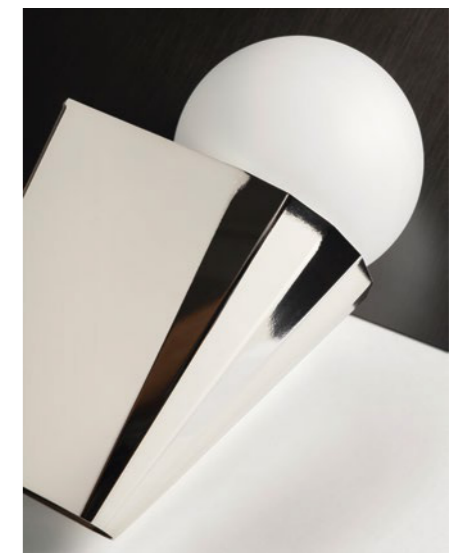
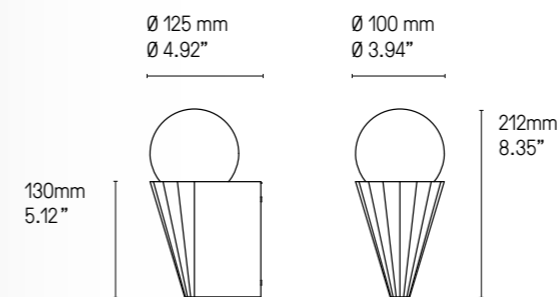
| | |
|------|-----------|
| IP24 | Classe II |
| IP24 | Class II |

Designer

POOL

* Les luminaires variables nécessitent l'utilisation d'ampoules compatibles avec la variation.
All dimmable light fixtures require the use of compatible bulbs.

IP Cornet Appliques – Wall mounted lights



IP Cornet PN



IP GAMMA



Finitions Finishes

Détails page 239

| | | | |
|---|--|--|--|
| ● Laiton satiné SB Satin brass | ● Graphite satiné SG Satin graphite | ● Nickel satiné SN Satin nickel | ● Cuivre satiné SC Satin copper |
| ● Laiton poli PB Polished brass | ● Graphite poli PG Polished graphite | ● Nickel poli PN Polished nickel | ● Cuivre poli PC Polished copper |

Matériaux Material

| | |
|------------------------------|---|
| Laiton massif Solid Brass | Diffuseur polycarbonate blanc White Polycarbonate diffuser |
|------------------------------|---|

Source Lamping

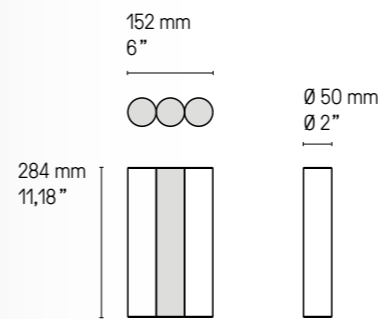
| | | | | |
|--------------------------------|------------------|------------------------|--|---|
| LED intégrée Integrated LED | 500 lm 500 lm | 3000°K 8W 3000°K 8W | Alimentation 24V intégrée Int. power supply 24V incl. | Non variable en standard Standard version not dim. |
|--------------------------------|------------------|------------------------|--|---|

Norme Standard

| | |
|------|-----------|
| IP44 | Classe II |
| IP44 | Class II |

Designer

Sylvain Willenz



IP Gamma SB

IP Gamma SG

IP Gamma SN

IP Gamma SC



IP JANED



Finitions Finishes ① + ②

Détails page 239

| | | | |
|---|--|--|--|
| ● Laiton satiné SB Satin brass | ● Graphite satiné SG Satin graphite | ● Nickel satiné SN Satin nickel | ● Cuivre satiné SC Satin copper |
| ● Laiton poli PB Polished brass | ● Graphite poli PG Polished graphite | ● Nickel poli PN Polished nickel | ● Cuivre poli PC Polished copper |

Matériaux Material

| | |
|------------------------------|---|
| Laiton massif Solid Brass | Verre triplex opale Opal triplex glass |
|------------------------------|---|

Source Lamping

| | |
|---|------------------------|
| G9 LED 5W max. non fournie G9 LED 5W max. not included | Variable* Dimmable* |
|---|------------------------|

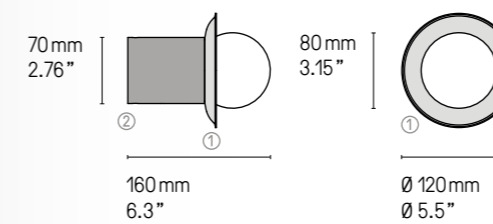
Norme Standard

| | |
|------|-----------|
| IP44 | Classe II |
| IP44 | Class II |

Designer

Émilie Cathelineau

* Les luminaires variables nécessitent l'utilisation d'ampoules compatibles avec la variation.
All dimmable light fixtures require the use of compatible bulbs.



IP Janed 160 SG



IP Janed 160 SN



IP LINK



Finitions Finishes

Détails page 239

| | | | |
|---|--|--|--|
| ● Laiton satiné SB Satin brass | ● Graphite satiné SG Satin graphite | ● Nickel satiné SN Satin nickel | ● Cuivre satiné SC Satin copper |
| ● Laiton poli PB Polished brass | ● Graphite poli PG Polished graphite | ● Nickel poli PN Polished nickel | ● Cuivre poli PC Polished copper |

Matériaux Material

| | | |
|------------------------------|---|--|
| Laiton massif Solid Brass | Diffuseur polycarbonate satiné Satin Polycarbonate diff user | Ruban Led sans points visibles Led strip without visible dots |
|------------------------------|---|--|

Source Lamping

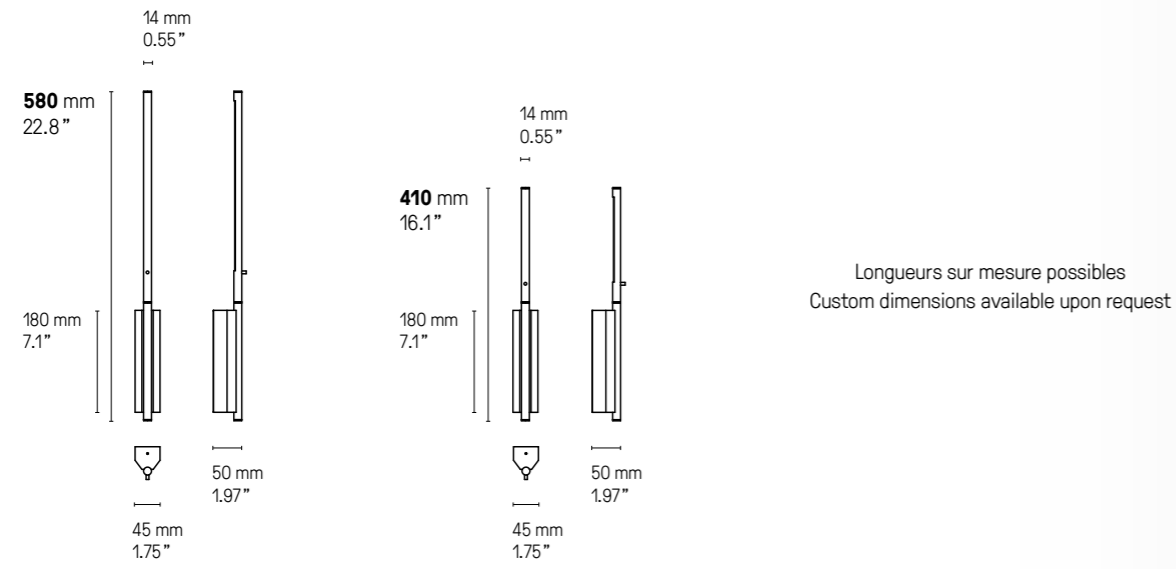
| | | | | |
|--|--------|---------|-----|------------------------------|
| IP Link 410 (410 mm – 16.1") | | | | |
| LED intégrée | 160 lm | 3 000°K | 2W | Alimentation 24V intégrée |
| Integrated LED | 160 lm | 3 000°K | 2W | Int. power supply 24 V incl. |
| IP Link 580 (580 mm – 22.8") | | | | |
| LED intégrée | 330 lm | 3 000°K | 4W | Alimentation 24V intégrée |
| Integrated LED | 330 lm | 3 000°K | 4W | Int. power supply 24 V incl. |
| IP Link double 610 (610 mm – 24.1") | | | | |
| LED intégrée | 320 lm | 3 000°K | 4W | Alimentation 24V intégrée |
| Integrated LED | 320 lm | 3 000°K | 4W | Int. power supply 24 V incl. |
| IP Link double 960 (960 mm – 37.8") | | | | |
| LED intégrée | 660 lm | 3 000°K | 7W | Alimentation 24V intégrée |
| Integrated LED | 660 lm | 3 000°K | 7W | Int. power supply 24 V incl. |
| IP Link double 1300 (1300 mm – 51.2") | | | | |
| LED intégrée | 880 lm | 3 000°K | 10W | Alimentation 24V intégrée |
| Integrated LED | 880 lm | 3 000°K | 10W | Int. power supply 24 V incl. |

Norme Standard

| | |
|------|-----------|
| IP44 | Classe II |
| IP44 | Class II |

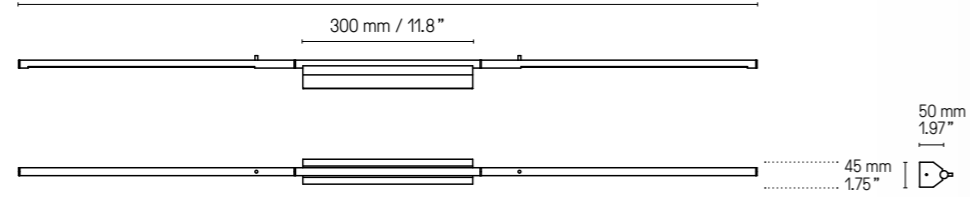
Designer

Émilie Cathelineau

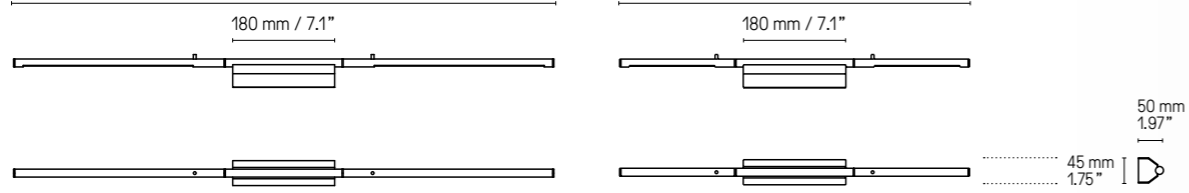


Longueurs sur mesure possibles
Custom dimensions available upon request

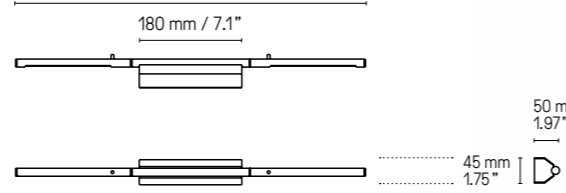
Double
1300 mm / 51.2"



Double
960 mm / 37.8"



Double
610 mm / 24.1"



IP Link Double 960 PG



IP Link 410 SB



IP METROP



Finitions Finishes ① + ②

Détails page 239

| | | | |
|---|--|--|--|
| ● Laiton satiné SB Satin brass | ● Graphite satiné SG Satin graphite | ● Nickel satiné SN Satin nickel | ● Cuivre satiné SC Satin copper |
| ● Laiton poli PB Polished brass | ● Graphite poli PG Polished graphite | ● Nickel poli PN Polished nickel | ● Cuivre poli PC Polished copper |

Matériaux Material

| | | |
|------------------------------|--|--|
| Laiton massif Solid Brass | Diffuseur polycarbonate satiné Satin Polycarbonate diffuser | Ruban Led sans points visibles Led strip without visible dots |
|------------------------------|--|--|

Source Lamping

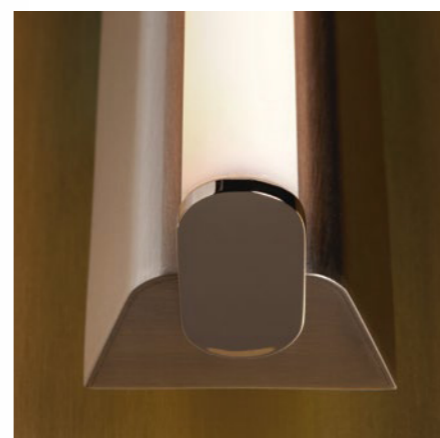
| | | | | |
|----------------------|-----------------------|------------|--|---|
| IP Metrop 325 | LED intégrée 330 lm | 3 000°K 4W | Alimentation 24V intégrée Int. power supply 24V incl. | Non variable en standard Standard version not dim. |
| | Integrated LED 330 lm | 3 000°K 4W | | |
| IP Metrop 525 | LED intégrée 550 lm | 3 000°K 7W | Alimentation 24V intégrée Int. power supply 24V incl. | Non variable en standard Standard version not dim. |
| | Integrated LED 550 lm | 3 000°K 7W | | |
| IP Metrop 780 | LED intégrée 825 lm | 3 000°K 9W | Alimentation 24V intégrée Int. power supply 24V incl. | Non variable en standard Standard version not dim. |
| | Integrated LED 825 lm | 3 000°K 9W | | |

Norme Standard

| | |
|------|-----------|
| IP44 | Classe II |
| IP44 | Class II |

Designer

Émilie Cathelineau



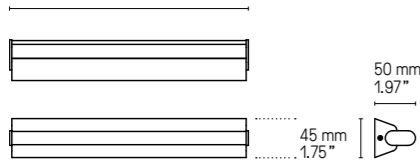
IP Metrop SG/PG



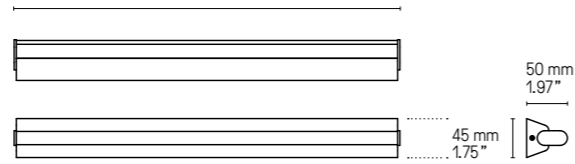
IP Metrop SB/SG

IP Metrop

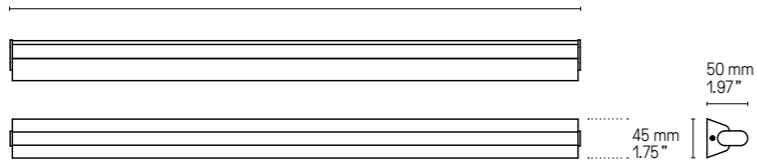
325 mm
12.8"



525 mm
20.7"



780 mm
30.7"



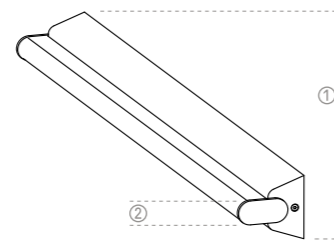
Longueurs sur mesure possibles
Custom dimensions available upon request



IP Metrop 325 PB



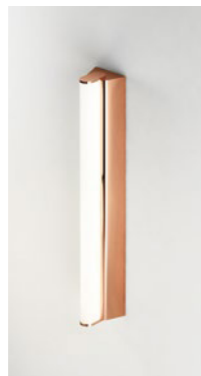
IP Metrop 325 SG



IP Metrop 325 SN/SG

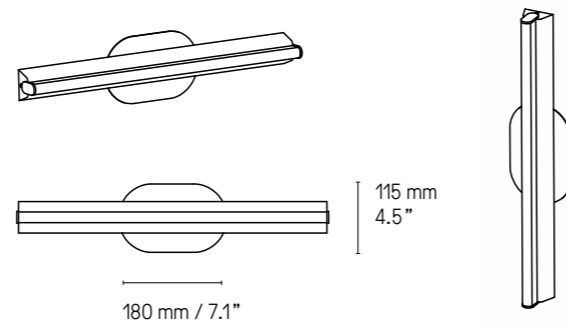


IP Metrop 325 PN



IP Metrop 325 PC

**US Version
fitted plate to cover outlet power box**



IP Metrop SB/SG



IP SIGNAL



Finitions Finishes

Détails page 239

| | | | |
|---|--|--|--|
| ● Laiton satiné SB Satin brass | ● Graphite satiné SG Satin graphite | ● Nickel satiné SN Satin nickel | ● Cuivre satiné SC Satin copper |
| ● Laiton poli PB Polished brass | ● Graphite poli PG Polished graphite | ● Nickel poli PN Polished nickel | ● Cuivre poli PC Polished copper |

Matériaux Material

| | |
|------------------------------|--|
| Laiton massif Solid Brass | Diffuseur polycarbonate satiné Satin Polycarbonate diffuser |
|------------------------------|--|

Source Lamping

| | | | |
|--|---------------------------------|----------------------|--|
| IP Signal 375 (375 mm – 14.8") | | | |
| LED intégrée 280 lm 3000°K 5W | Alimentation 24 V intégrée | Variable (phase cut) | |
| Integrated LED 280 lm 3000°K 5W | Int. power supply 24 V included | Dimmable (phase cut) | |
| IP Signal 475 (475 mm – 18.7") | | | |
| LED intégrée 480 lm 3000°K 7W | Alimentation 24 V intégrée | Variable (phase cut) | |
| Integrated LED 480 lm 3000°K 7W | Int. power supply 24 V included | Dimmable (phase cut) | |
| IP Signal 575 (575 mm – 22.6") | | | |
| LED intégrée 670 lm 3000°K 9W | Alimentation 24 V intégrée | Variable (phase cut) | |
| Integrated LED 670 lm 3000°K 9W | Int. power supply 24 V included | Dimmable (phase cut) | |
| IP Signal double 580 (580 mm – 22.8") | | | |
| LED intégrée 570 lm 3000°K 7W | Alimentation 24 V intégrée | Variable (phase cut) | |
| Integrated LED 570 lm 3000°K 7W | Int. power supply 24 V included | Dimmable (phase cut) | |
| IP Signal double 780 (780 mm – 30.7") | | | |
| LED intégrée 960 lm 3000°K 13W | Alimentation 24 V intégrée | Variable (phase cut) | |
| Integrated LED 960 lm 3000°K 13W | Int. power supply 24 V included | Dimmable (phase cut) | |
| IP Signal double 980 (980 mm – 38.6") | | | |
| LED intégrée 1340 lm 3000°K 17W | Alimentation 24 V intégrée | Variable (phase cut) | |
| Integrated LED 1340 lm 3000°K 17W | Int. power supply 24 V included | Dimmable (phase cut) | |

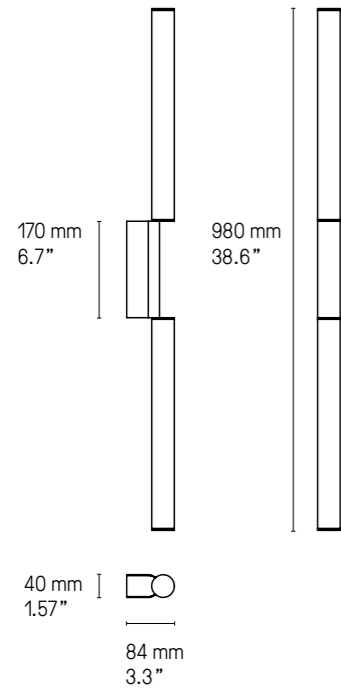
Norme Standard

| | |
|------|-----------|
| IP44 | Classe II |
| IP44 | Class II |

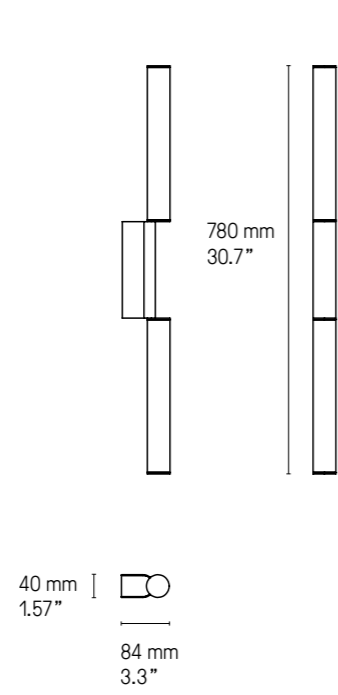
Designer

Pauline Deltour

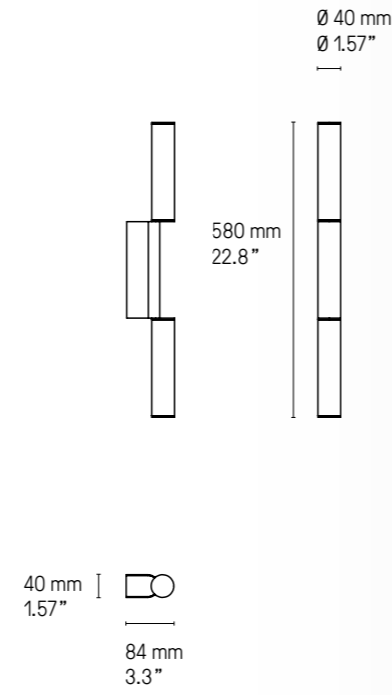
IP Signal double 980



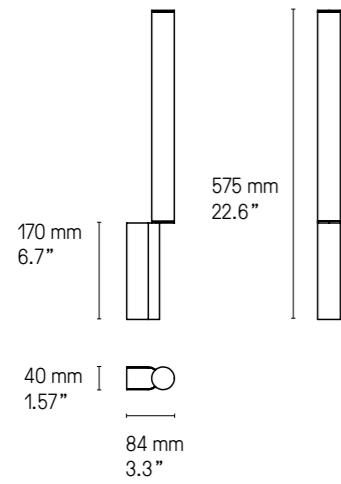
IP Signal double 780



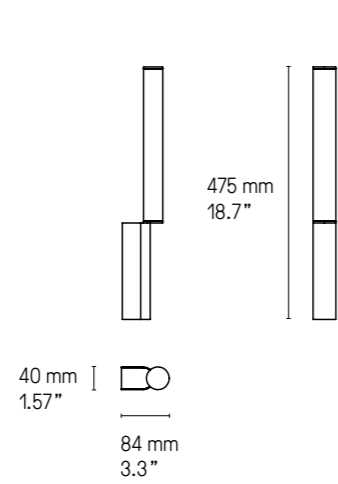
IP Signal double 580



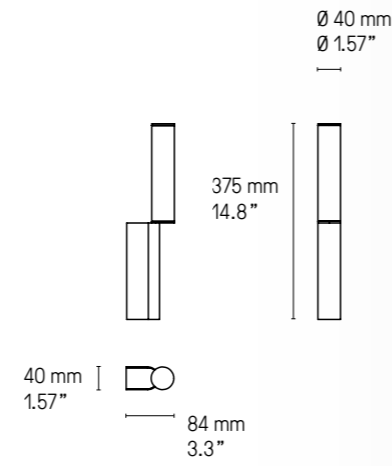
IP Signal simple 575



IP Signal simple 475



IP Signal simple 375



*Signal peut être installée horizontalement ou verticalement.
Signal can be placed both horizontally or vertically on the wall.*



IP Signal Double 980 SN



IP Signal Simple 475 PN



IP Signal Simple 475 PB



IP STORM



Finitions Finishes

Détails page 239

| | | | |
|---|--|--|--|
| ● Laiton satiné SB Satin brass | ● Graphite satiné SG Satin graphite | ● Nickel satiné SN Satin nickel | ● Cuivre satiné SC Satin copper |
| ● Laiton poli PB Polished brass | ● Graphite poli PG Polished graphite | ● Nickel poli PN Polished nickel | ● Cuivre poli PC Polished copper |

Matériaux Material

| | |
|------------------------------|---|
| Laiton massif Solid Brass | Diffuseur polycarbonate blanc White Polycarbonate diffuser |
|------------------------------|---|

Source Lamping

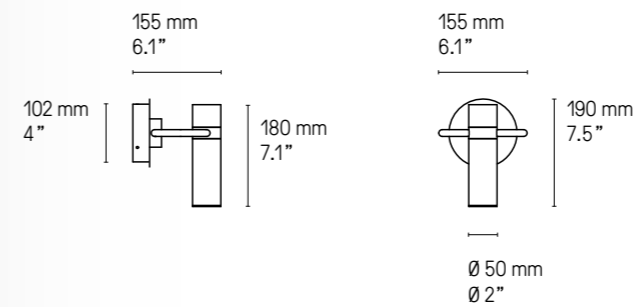
| | | | | | |
|--------------------------------|------------------|--------------------|----------|--|---|
| LED intégrée Integrated LED | 440 lm 440 lm | 3 000°K 3 000°K | 5W 5W | Alimentation 24V intégrée Int. power supply 24V incl. | Non variable en standard Standard version not dim. |
|--------------------------------|------------------|--------------------|----------|--|---|

Norme Standard

| | |
|------|-----------|
| IP44 | Classe II |
| IP44 | Class II |

Designer

Émilie Cathelineau



IP Storm SB



CVL LUMINAIRES

79 ROUTE DE LA CHEVALLERIE – 49770 LONGUENÉE-EN-ANJOU – FRANCE

TEL. +33 (0) 2 41 32 67 54

EMAIL : CONTACT@CVL-LUMINAIRES.FR

WWW.CVL-LUMINAIRES.FR

Brand identity & art direction: [POOL](#) Layout & production supervision: [deuxpointdeux](#)
Photos: [Yannick Labrousse](#) 3D: [AR.visual](#) Texts & translation: [CVL](#)

Download our latest catalogue [here](#)

Charte graphique – Brand identity

POOL

Réalisation, suivi de fabrication

Layout, print process supervision

deuxpointdeux

Impression – Printing

DBS Print France

Images

Portraits

Atelier Grand Angle (É. Cathelineau), Stephanie Füssenich (P. Deltour), Yannick Labrousse (POOL), droits réservés/all rights reserved (H. Langlais), Nicolas Delaroche (S. Willenz)

Atelier, détails et groupe – Workshop, details and staff

Yannick Labrousse (p.2-11, 14, 60-61, 132, 205, 209,211, 215, 225, 227, 234-237, 239)

Photos & 3D d’ambiances – Lifestyle photos & 3Ds

Garnier Studios, except:

3mille for Kelly Boukobza – villa Saint-Tropez (p.22)

Agathe Tissier for Agence Felicita & Studio Vertbois (p.48, 109, 139)

Alexander Volodin & Ivan Erofeev for Arch(e)type – Supplier GK Concept (p.133)

Andres Orozco for Xuhui Zhang, Andy Chu, Limeng Jiang & Fran Fang – Junzi Kitchen Bleecker Street (p.155)

AR visual (p.105, 206, 210, 212, 214, 216, 224, 232)

Ariane Hera for Lelievre Paris (p.49)

Bureau Gimbert Comy architecture & design (p.51)

Bureau Slovo – Andrei Kabanov (p.156)

CGI Furniture (p.18 ,32, 39, 44, 62, 64, 65, 66, 68, 96, 98, 119, 121, 140, 144 ,146, 148, 178, 182-183, 186-187, 228)

Claire Illi for DH Liberty – Hampstead Manor (p.172)

Delphine Warin (p.218)

Francis Amiand for Stéphanie Coutas architecte d’intérieur (p.27)

Frédéric Namur Architecte d’intérieur (p.177)

Frenchie Cristogatin for agence Jean-Christophe Peyrieux; stylist: Céline Hassen (p.125)

Gname architecture studio (p.56)

Iqosa Interior and Architecture Design est. 2014 (p.155)

Klaas Verdrum for Mayelle architecture d’intérieur (p.152, 160)

Laura Evrat Photographe (p.20-21, 25, 80, 109, 117, 120, 146-147, 159, 165, 198, 203)

Leatzia Bazzoni for Marie’s Corner (p.31)

Match Architects (p.92)

Mathias Paltrie for agence Contrast Deco (p.40)

Maud Lorton for Marir Birling – Le Répertoire (p.134)

Mikołaj Walczewski for Bernatowicz Architektura – Beauty for You, Hair Clinic Krakow (p.122)

Morgane Legall pour Lelièvre Paris (p.48)

Philippe Charlot (p.100, 192)

Pro Design St-Petersburg (p.220, 223)

Raffles Europejski Warsaw (p.168)

Rainer Schär for Iria Degen – Hotel Märthof Basel (p.73, 89)

Stephan Julliard for Studio Lally & Berger – Hôtel Le Meurice à Paris (p.53)

Yannick Labrousse for Studio AC – Adenauer (p.29)

Yannick Labrousse for POOL studio – project R0F01, Paris (p.47, 54, 59)

Mikołaj Walczewski for Bernatowicz Architektura Team – Zakopan Railway Station (p.126-127)

Distributed by

WELIGHTING